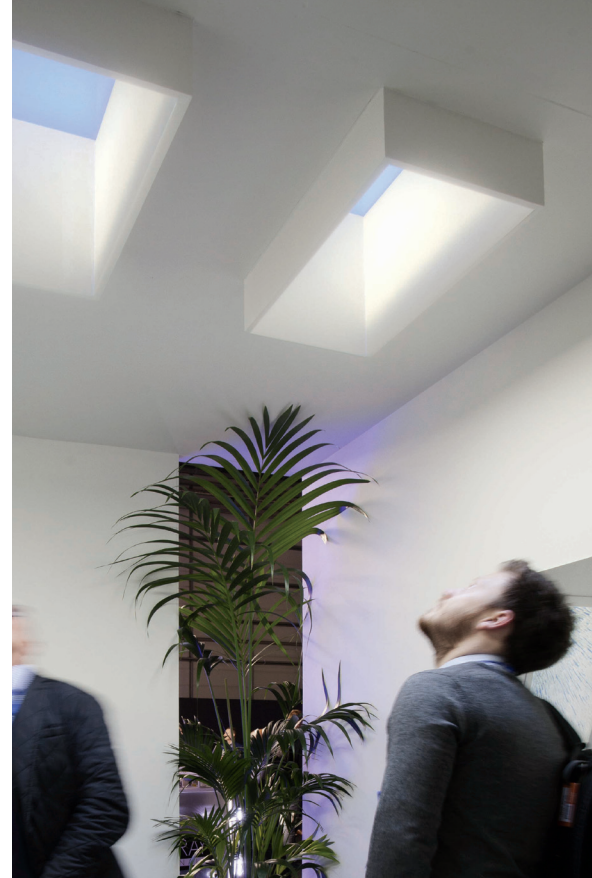


CoeLux® ST IBLA

Datasheet / pg 1 of 2

IBLA – lightwells, created to give a clear opening to the sky. The sun rays bounce within the well to create soft beams and more uniform light. An opening to the universe above creates the feeling of infinite space. The window of each module is 530 x 300 mm (20.9 x 11.8”). The module is designed to fit within a standard 600 x 600 mm (or 2 x 2’) ceiling grid. This allows easy installation within a T-bar or plasterboard ceiling. It is DALI compatible allowing easy integration into a control system.

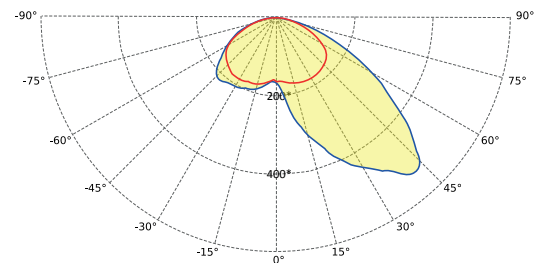
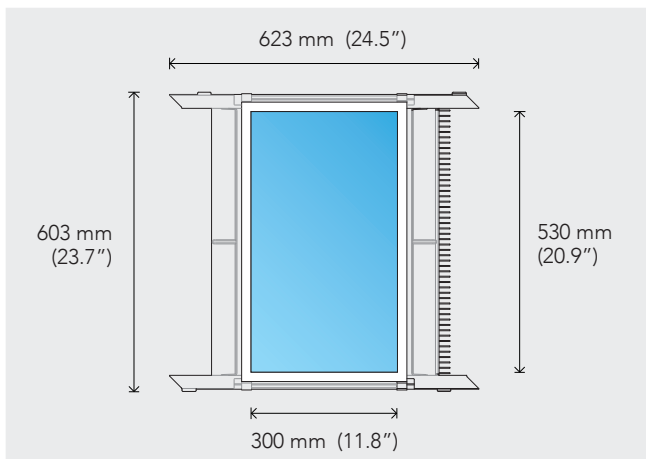
Warranty period: 2 years.



Technical drawings:

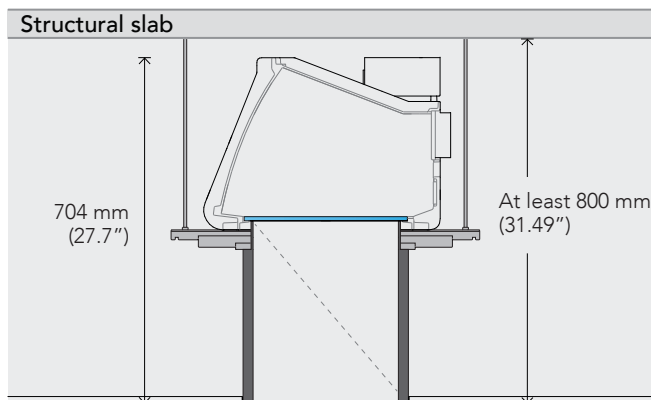
Photometric curves:

BOTTOM VIEW



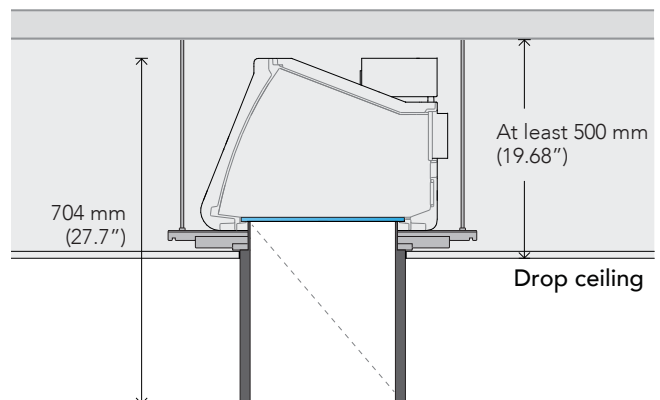
Profile units are
 C0 - 180
 C90 - C270
 *cd

SIDE VIEW



Drop ceiling

^ Recessed version



Drop ceiling

^ Flush version

Technical informations:

DEVICE DIMENSIONS	571 x 500 x 352 mm	22.5 x 19.7 x 13.9"
OVERALL DIMENSIONS	603 x 623 x 704 mm	23.7 x 24.5 x 27.7"
SKY-LIGHT SIZE	530 x 300 mm	20.9 x 11.8"
WEIGHT	17 kg	37.4 lb

Performance informations:

TYPE OF SOURCE	LED dimmable
POWER INPUT	100-240 V~ 50/60 Hz
MAX POWER CONSUMPTION	50 W
TYPICAL POWER CONSUMPTION	45 W
TOTAL LIGHT OUTPUT	980 lm
LUMEN MAINTENANCE	LM70 >50000 h

Environmental informations:

Equipment intended for internal use	
MIN. / MAX. OPERATING TEMPERATURE	-10°C /40°C
MAX. OPERATING RELATIVE HUMIDITY	95% (non-condensing)

CERTIFIED



> CoeLux® ST IBLA

