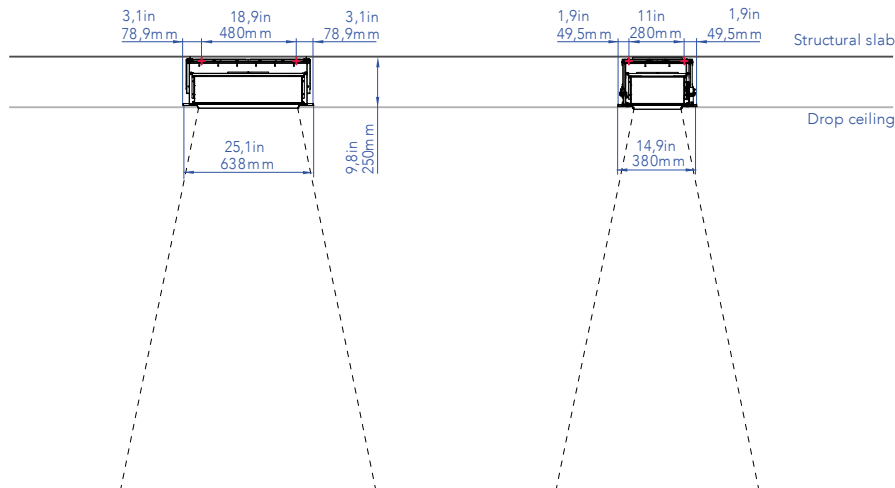


+ Fixing point to the structural slab or other fixings



MECHANICAL FEATURES

Device dimensions:	638 x 380 x h250 mm 25.1 x 14.9 x h9.8 in	Sky-light size:	488 x 229 mm 19.2 x 9 in
Necessary space for installation (largest volume including device, assembled frame, fixing kit):	638 x 380 x h250 mm 25.1 x 14.9 x h9.8 in	Weight:	17.5 kg 38.5 lb
Fixing kit	The fixing kit is included without threaded rods. Ceiling fasteners are not supplied.		

ELECTRICAL FEATURES

FRAME

Type of source:	LED	Material and Visible dimensions:	Recessed Trimless mounted, Powder-coated steel sheet 638 x 380 x h15 mm / 23.1 x 12.4 x h0.6 in
Light output control:	Dimmable by DALI or 0-10V	Weight:	1.33 kg / 2.93 lb
Light output range:	0.4-100%	Finishing:	White Matte, RAL 9010
Power input:	1 channel at 24 V DC		
Max power consumption:	50 W		
Typical power consumption:	46 W		
Electrical rating	EU Class III (UL class 2)		
Power supply units and drivers:	Smart Sky Driver (DALI or 0-10V) included. Power supply unit to be ordered separately: 27-00020-01 Power Supply 75W - Mean Well XLG-75-24-A		

DESCRIPTION

Coelux HT25 Mini is a recessed compact system that artificially reproduces natural light from the sky and the sun. It includes a LED light source, optical components and a Coelux Smart Sky panel, all housed in a metal structure. Skylight dimensions: 488 x 229 mm (19.2 x 9 in). Appearance of the sun: visible, slightly frosted. Beam direction: zenith. Appearance of the sky: clear. Frame: included, trimless finishing (mandatory for optimal yield). It may also be mounted on normally inflammable surfaces. It is recommended to position the power supply and the Smart Sky driver remotely.

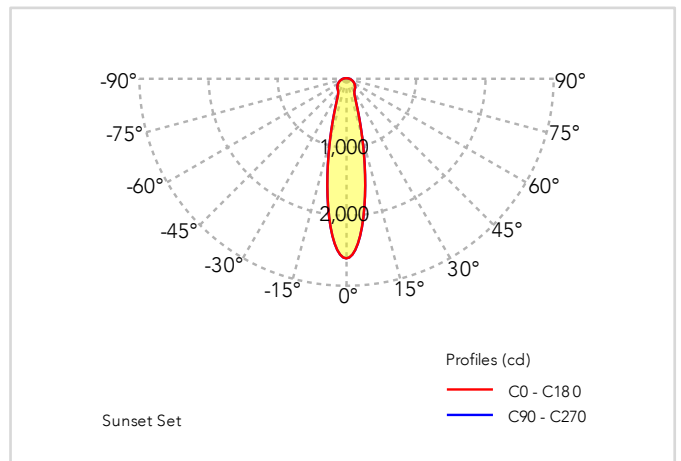
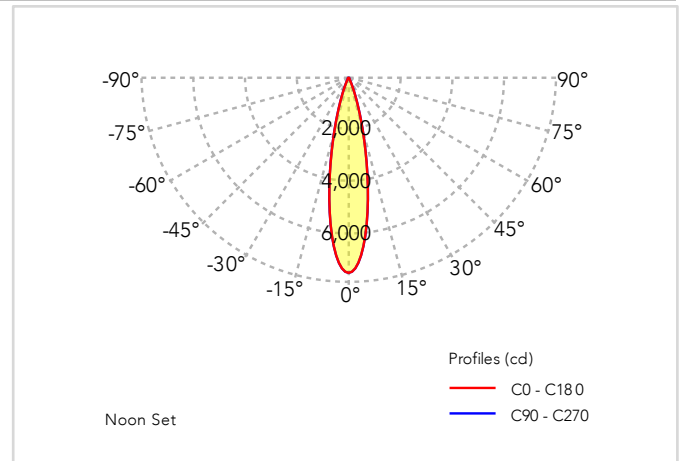
CERTIFICATIONS

Certifications:	CE, CB, UL ongoing
Certification code:	Coelux HT25 MINI SS
Warranty:	2 years

OPTICAL FEATURES

Total Light Output:	1400 lm (noon) - 1200 lm (sunset)
Lumen maintenance(L90B10):	> 50000 h
LED CRI (Ra)	> 92
CCT of transmitted beam (noon):	5500 K
CCT of the Sky (noon):	> 10000 K
CCT of transmitted beam (sunset):	3100 K
CCT of the Sky (sunset):	9000 K
Photometric diagram (simulated .ies .ldt file, without frame):	Available
Beam angle:	Zenith
Divergence-FWHM (H/V)(without frames, refer to photometric curves):	23°/23°
Sun appearance:	Visible slightly frosted
Sky appearance:	Clear
Melanopic Ratio (Sky):	1.50 (noon) - 1.22 (sunset)
Melanopic Ratio (Sun):	0.96 (noon) - 0.55 (sunset)

PHOTOMETRIC CURVES



OPERATING CONDITIONS

Min/max operating temperature:	-10 / 40°C
Max operating relative humidity (no condensing):	95%
IP grade:	IP 65

SHIPPING INFORMATION

-1 cardboard box:	795 x 530 x h405 mm / 31.2 x 20.8x h16 in
	22.5 kg / 48.5 lb
-1 cardboard box:	650 x 400 x h30 mm / 25.6 x 15.7 x h1.4 in
	2.2 kg / 4.85 lb

ACCESSORIES

- 75-00055-01: CBU-A2D - Casambi wireless control unit configured for Coelux HT SmartSky DALI
- 75-00056-01: CBU-A2D - Casambi wireless control unit configured for Coelux HT SmartSky 0-10V
- 75-00057-01: Casambi Xpress - Casambi wireless Keypad user interface - White
- 75-00058-01: Casambi Xpress - Casambi wireless Keypad user interface - Black
- 22-00009-01: IP 68 Connector

NOTES

- 1) Please note that there are two Order codes for this product. Select the Order code that best suits your needs: HT25MINI-SS-DAL-A-01 (DALI) and HT25MINI-SS-010-A-01 (0-10 V).
- 2) The power supply must be purchased separately, make sure you order it. The Order code is indicated in the section ELECTRICAL FEATURES (Power supply) of this datasheet.
- 3) In order to ensure an easier maintenance, it is suggested to position the power supply and the Smart Sky driver remotely.